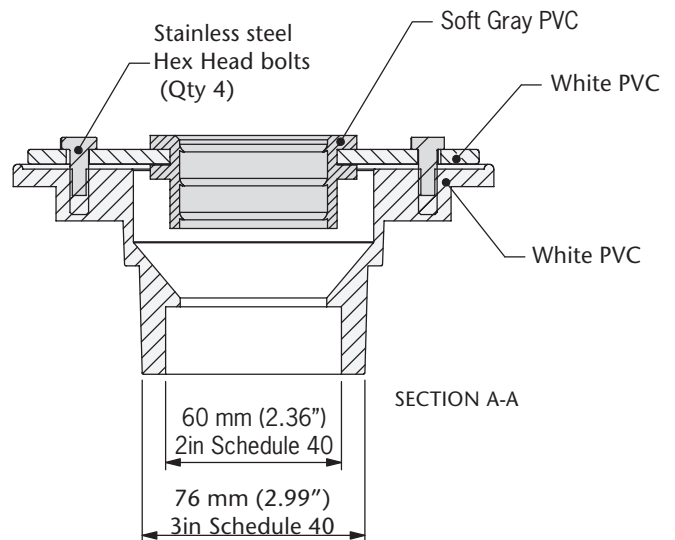
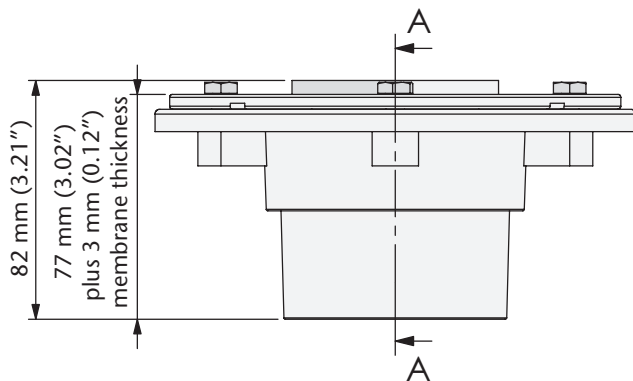
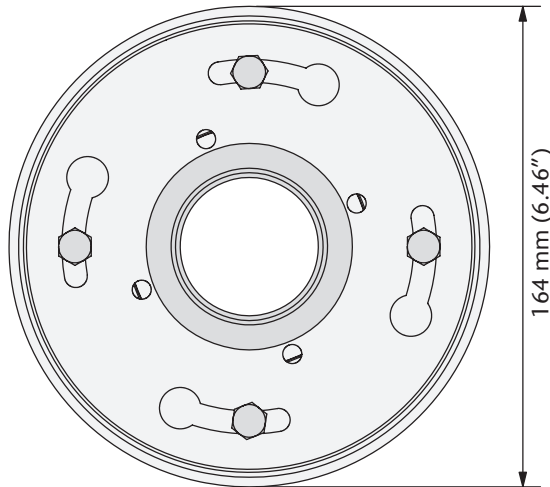
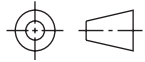


Shower Channel - CPE Membrane Coupling



Product Table

Description	Part No.	Weight kg (lb)
CPE membrane coupling	93871	0.49 (1.1)

ACO Systems, Ltd.
 1-2880 Brighton Rd.
 Oakville, ON L6H 5S3
 Tel: (905) 829-0665
 Fax: (905) 829-2908

Electronic Contact:
 Eml: info@acocan.ca
 Web: www.acoshowerdrain.ca

