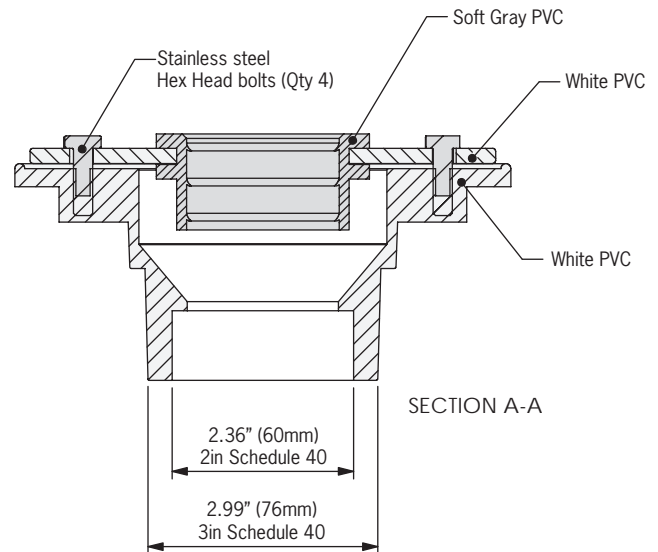
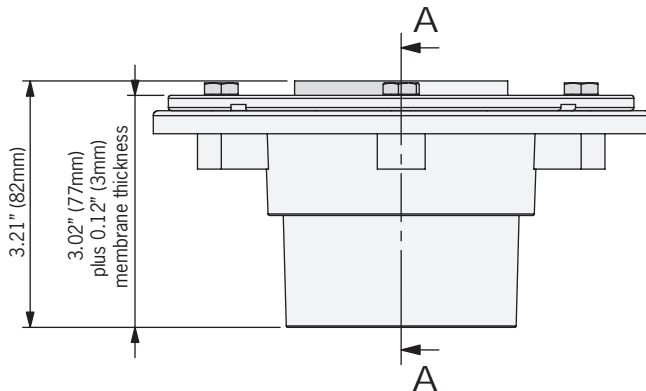
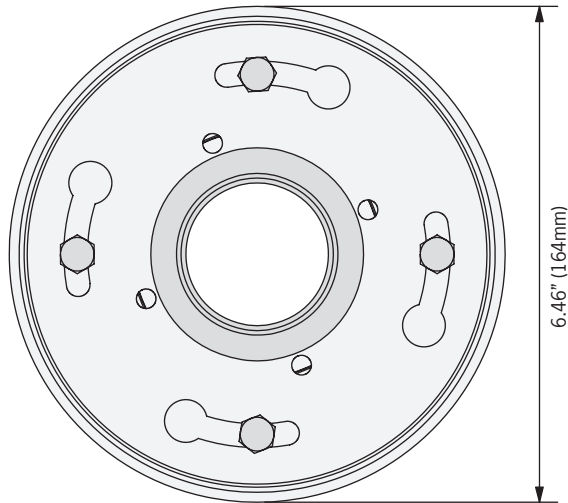
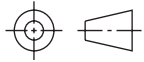


# Shower Channel - CPE Membrane Coupling



**Product Table**

Description	Part No.	Weight
CPE membrane coupling	93871	1.1

**ACO Polymer Products, Inc.**

**West Sales Office**  
 825 W. Beechcraft St.  
 Casa Grande, AZ 85122  
 Tel: (520) 421-9988  
 Toll Free: (888) 490-9552  
 Fax: (520) 421-9899

**East Sales Office**  
 9470 Pinecone Dr.  
 Mentor, OH 44060  
 Tel: (440) 639-7230  
 Toll free: (800) 543-4764  
 Fax: (440) 639-7235

**Southeast Sales Office**  
 4211 Pleasant Rd  
 Ft. Mill, SC 29708  
 Tel: (800) 543-4764  
 Toll Free: (800) 662-2377  
 Fax: (803) 802-1063

**Follow us on**  


  
**Electronic Contact:**  
 info@QuARTzbyACO.com  
 www.QuARTzbyACO.com



© September 2016 ACO Polymer Products, Inc. This information is believed to be accurate but it is not guaranteed to be so. We cannot assume liability for results that buyer obtains with our product since conditions of use are beyond the control of the company. It is the customer's responsibility to evaluate suitability and safety of product for his own use. ACO Polymer Products Inc. reserves the right to change the product and specifications without notice.