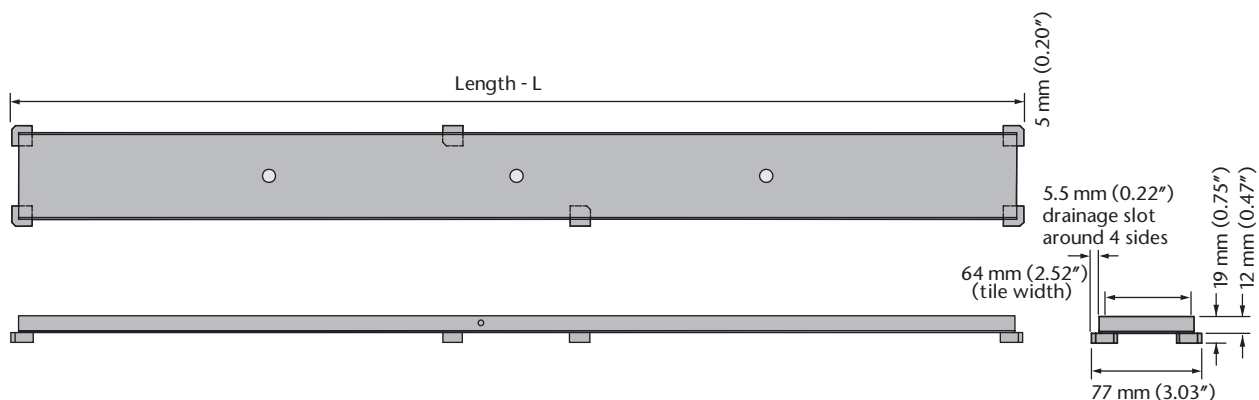


Shower Channel - Tile Grate



Product Table

Length mm (in)	700 (27.55)	800 (31.50)	900 (35.43)	1000 (39.37)	1200 (47.24)	1400 (55.12)	Replacement grate lifting key
Width mm (in)	77 (3.03)	77 (3.03)	77 (3.03)	77 (3.03)	77 (3.03)	77 (3.03)	n/a
Part No. Electro- polished	37335	37338	37336	37334	37332	37419	37339
Part No. Oil-rubbed bronze	37327	37300	37331	37323	37310	37298	37339
Weight kg (lbs)	0.77 (1.7)	0.90 (2.0)	0.99 (2.2)	1.13 (2.5)	1.31 (2.9)	1.49 (3.3)	0.04 (0.1)
Intake area sq. cm (sq. in)	83.8 (13.00)	94.7 (14.69)	105.9 (16.42)	116.7 (18.10)	138.7 (21.50)	160.6 (24.9)	n/a

Specification Clause

The QuARTz ACO ShowerDrain channel and Tile grate system shall be stainless steel grade 304 manufactured by ACO, Inc. USA.

The surface finish shall be Electropolished OR Oil Rubbed Bronze.

Grate shall be 77 mm (3.03") wide, with length as specified on Architects plans / Architects specification.

Shower channel shall be Plain Edge OR Flanged Edge. (See separate Spec Info Sheet for details)

ACO recommends checking local plumbing codes prior to installation.

The system shall be installed in accordance with the manufacturer's instructions and recommendations.

ACO Systems, Ltd.
1-2880 Brighton Rd.
Oakville, ON L6H 5S3
Tel: (905) 829-0665
Fax: (905) 829-2908

Electronic Contact:
Eml: info@acocan.ca
Web: www.acoshowerdrain.ca

