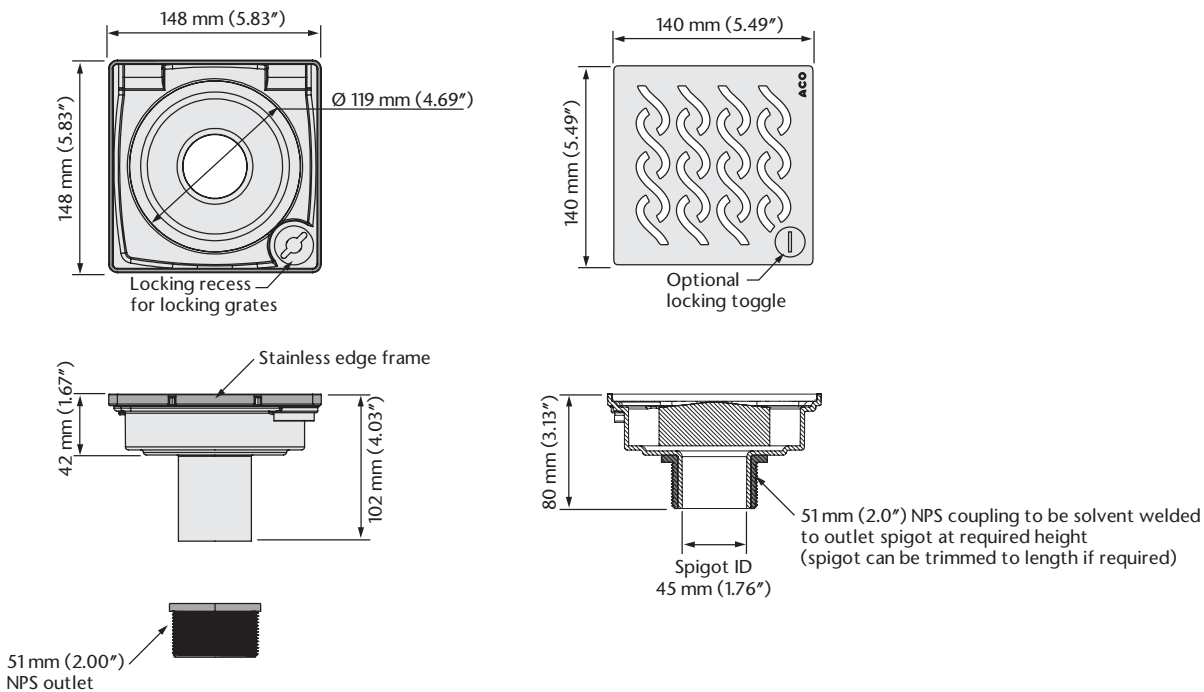


ShowerPoint with Hawaii grate



Product Table

Description	ShowerPoint body w/ Hawaii locking grate	ShowerPoint body w/ Hawaii non-locking grate	Optional LED light Red	Optional LED light Green	Optional LED light Blue	Optional LED light White
Part No.	37230	37223	37286	37258	37259	37257
Weight kg (lbs)	0.72 (1.6)	0.72 (1.6)	0.22 (0.5)	0.22 (0.5)	0.22 (0.5)	0.22 (0.5)

Specification Clause

The ACO ShowerPoint shower outlet body shall be chrome plated ABS plastic as manufactured by ACO, Inc. USA. A decorative stainless steel edge frame shall also be provided. The locking/ non-locking grate shall be manufactured from grade 304 stainless steel with 'Hawaii' slot style.

Shower outlet shall be 148 mm (5.83") square, with 51 mm (2.0") diameter outlet spigot (O.D.). Grate shall provide a minimum intake area of 6.5 square inches. Outlet shall provide minimum outlet flow rate of 0.9 L/s (14.3GPM) where installed to allow 0.2" (5mm) head of water OR 1.5 L/s (23.8GPM) where installed to allow 15 mm (0.6") head of water.

Connection to plumbing shall be either with 51 mm (2.0") NPS threaded coupling (supplied with outlet) that shall be solvent welded to outlet spigot*/ 2" no-hub adjustable coupling (available from ACO or others)*, or a solvent weld connection*.

ACO recommends checking local plumbing codes prior to installation.

The system shall be installed in accordance with the manufacturer's instructions and recommendations.

ACO Systems, Ltd.
1-2880 Brighton Rd.
Oakville, ON L6H 5S3
Tel: (905) 829-0665
Fax: (905) 829-2908

Electronic Contact:
Eml: info@acocan.ca
Web: www.acoshowerdrain.ca

