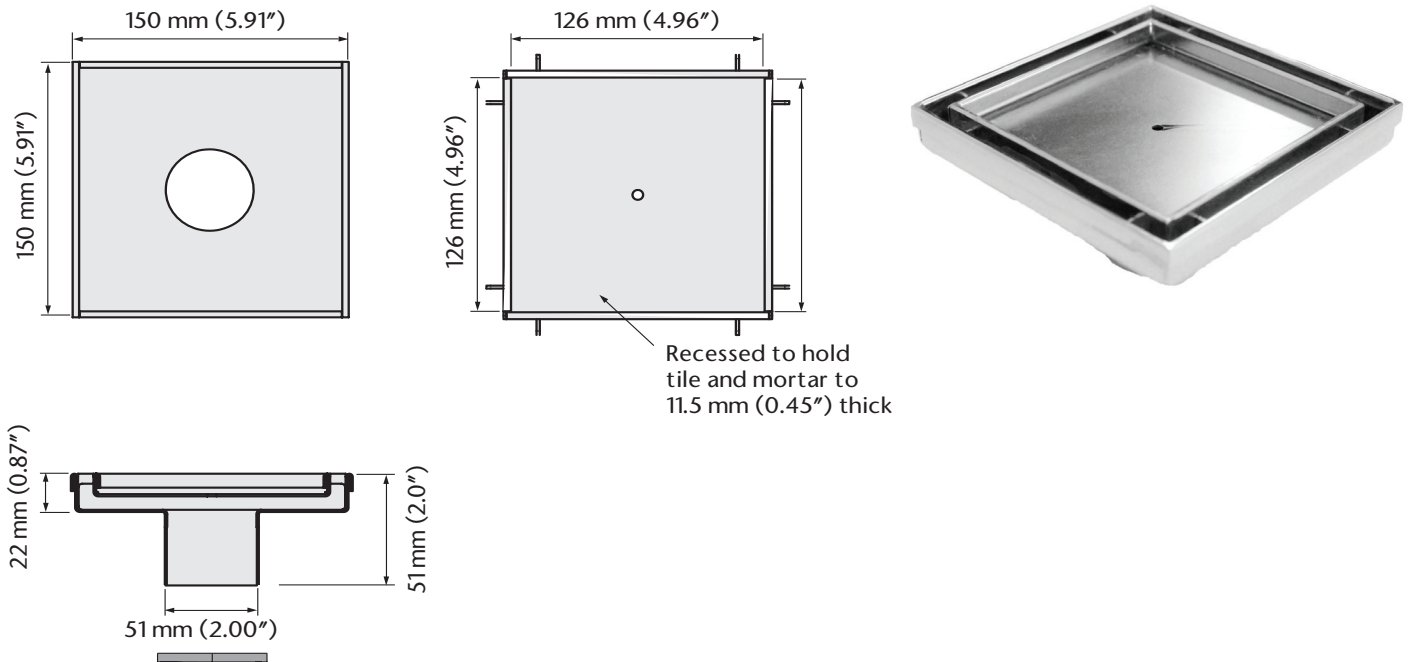


Stainless Steel ShowerPoint Drain - Tile



Product

	<i>All stainless steel ShowerPoint Drain - Tile inlay (does not include 51 mm (2.0") threaded coupling)</i>	<i>PVC Drain flange coupling</i>
Part No.	37229	93871
Weight (lbs)	0.90 (2.0)	0.49 (1.1)

Specification Clause

The QuARTz ACO ShowerPoint shower outlet body and tile inlay grate shall be stainless steel grade 304 as manufactured by ACO, Inc. USA. The tile inlay grate shall provide a 11.5 mm (0.45") deep recess to accommodate tile to match surrounding floor tiles. Water shall drain via a 8.5 mm (0.33") slot between the grate and frame of the body on all four sides.

Shower outlet shall be 150 mm (5.91") square, with 51 mm (2.0") diameter spigot (O.D.).

Installs using two-piece drain flange and flexible PVC sleeve.

ACO recommends checking local plumbing codes prior to installation.

The system shall be installed in accordance with the manufacturer's instructions and recommendations.

ACO Systems, Ltd.
 1-2880 Brighton Rd.
 Oakville, ON L6H 5S3
 Tel: (905) 829-0665
 Fax: (905) 829-2908

Electronic Contact:
 Eml: info@acocan.ca
 Web: www.acoshowerdrain.ca

